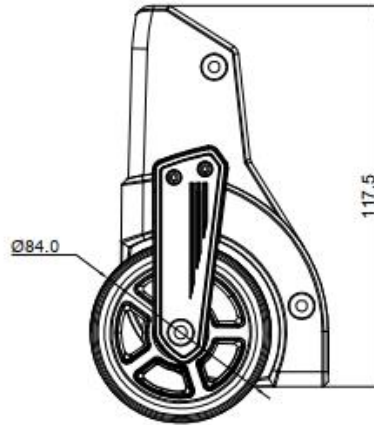


INTRODUCTION OF CRUISER WHEEL



Item #: WR031 + WHL023

Material: ABS (Wheel housing)
PP (Wheel Hub)
TPU (Wheel Tire)

Wheel diameter: 84mm

Descriptions

- Light Weight: 133g per one wheel and wheel housing
- No inner wheel housing required
- Large wheel makes the maneuvering easy on rough paths
- Side reinforcement helps with the load distribution on axle
- Best to be used on soft case luggage with the versatile wheel housing design



**CONTACT US TO
GET SAMPLES!**



TRIMMERS VIETNAM CO., LTD

Plot CN16, Block 5 and part of Block 4, Road 6, Song Than 3 Industrial Park Phu Tan Ward, Thu Dau Mot City, Binh Duong, Viet Nam



sales@trimmers-pro.com



(+84) 274.379.8700 or (+84) 274.379.8600