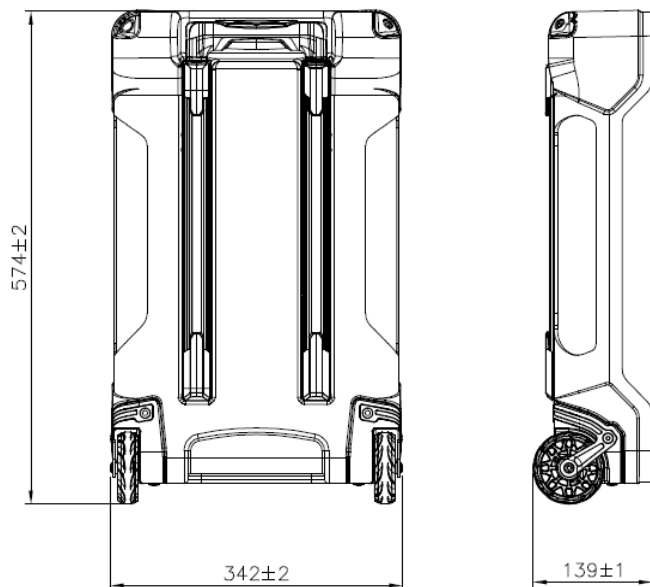
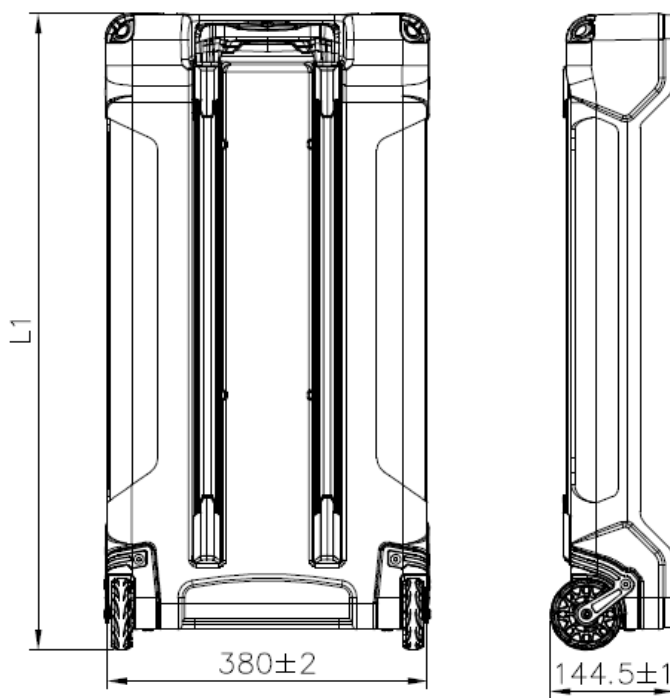


SH212



SH150



SH161

